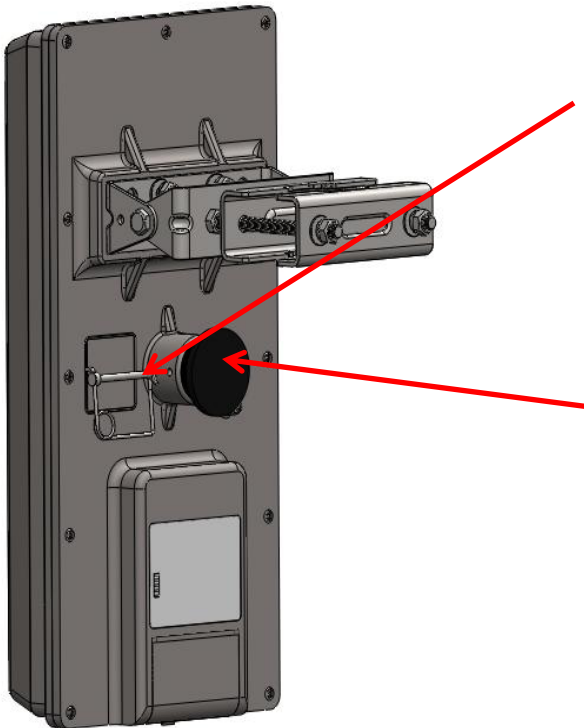
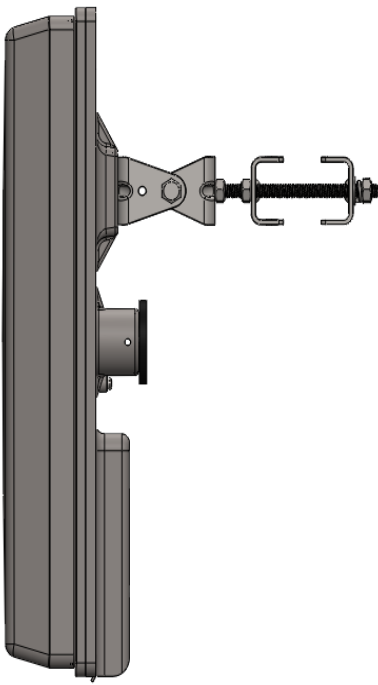


ARC Variable Sector Beamwidth Selection Instructions



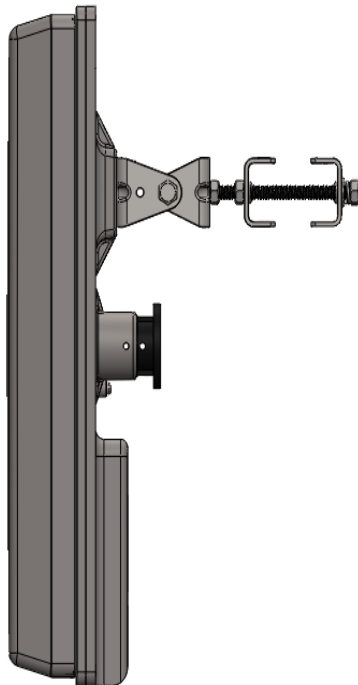
Remove locking pin from the back slide.

Slide the rear tube (Black) in and out to select the desired beamwidth. There are 3 set positions available, you can find these positions by aligning holes in the rear tube (black) with back housing (grey).



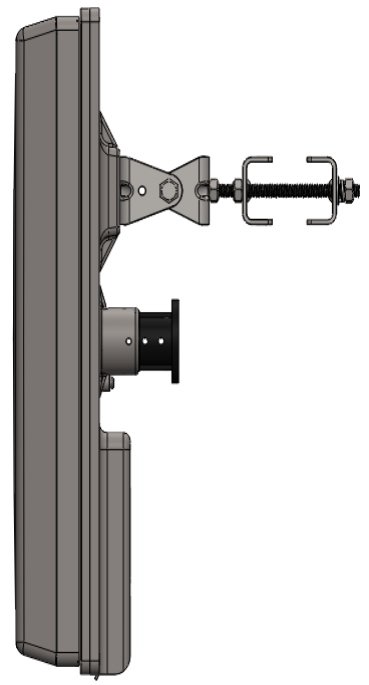
120°

Rear tube pressed all the way in



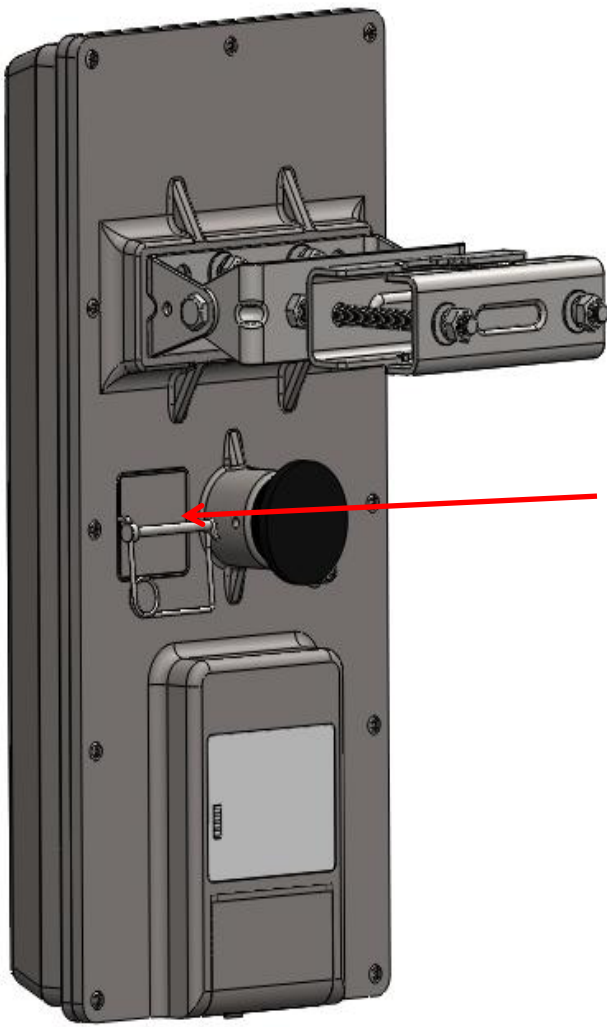
90°

Rear tube set to the middle hole position

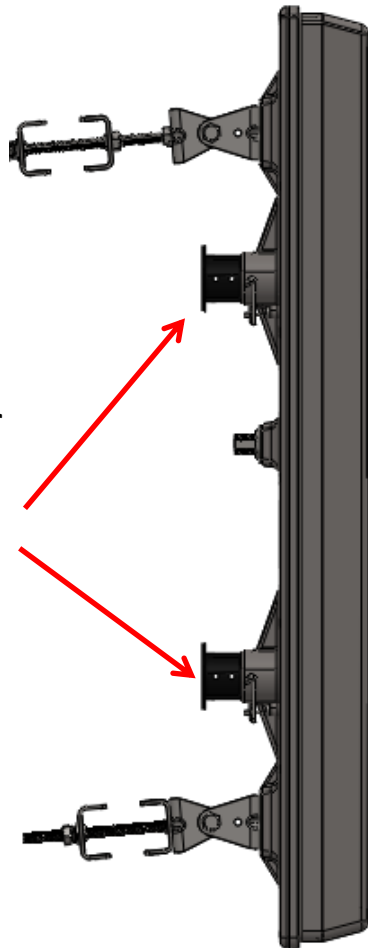


60°

Rear tube pulled all the way out



Once you select beamwidth replace locking pin securing position.



When installing sector with two rear tubes, both must be set to the same position for accurate beamwidth.



www.streakwave.com