

MAXIMUM CHARACTERISTICS

Application:
CPX Chassis Rack Mounted 24 Volt DC Protection

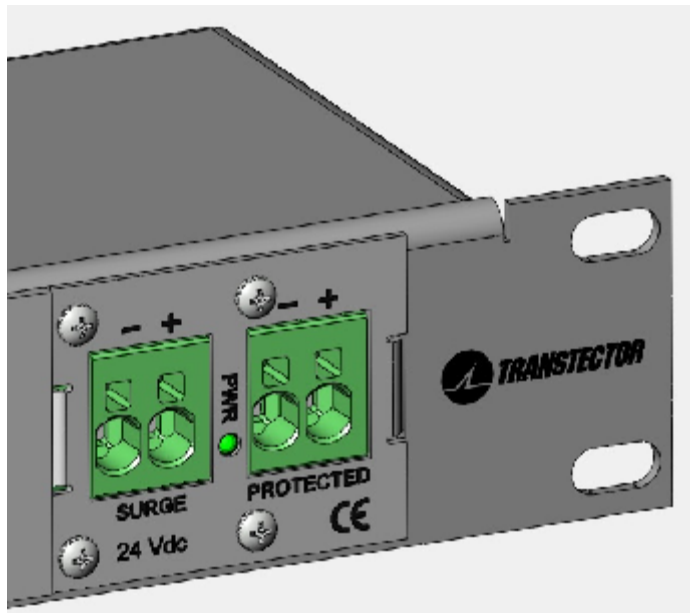
Electrical Performance:
 Protection Modes: DC + to DC -, DC + to Ground, DC - to Ground
 Nominal Operating Voltage U_n : 24 Vdc
 Maximum Continuous Operating Voltage U_c : 39 Vdc
 Maximum Load Current: 15 Amps
 Nominal Discharge Surge Current (8/20) I_n : 5 kA (8/20 μ s) per protection mode
 Protection Level @ 500 A, 8/20 μ s: 83 Vpk
 Response Time: <5 nano-seconds
 Suppression Leakage Current at U_n : <30 μ A
 Failure Mode: Power disconnect from radio if suppression fails
Over-Current Protection: Replaceable cartridge fuse (1.25" x \varnothing .25")
 List of approved fuses shown in Table 1.

Approvals: RoHS compliant, CE compliant
 IEC/ANSI/UL/CSA 60950 compliant
 Hazardous Location Certifications: ETL Class I Div 2, Class 1 Zone 2,
 ATEX (ITS14ATEX48147X), IECEx (IECEx ETL 14.0041X) (See Figure 1)

Mechanical:
 DC Power Input/Output Connections: Spring Cage Clamp
 Wire Range: #24 to #8 AWG
 Dimensions: 1.99" [51mm] x 1.63" [41mm] x .308" [78mm]
 Weight: <1 lbs [.45 kg]

Environmental:
 Operating Temperature: -40°C to +65°C
 Relative Humidity: <95% (non-condensing)

Mounting: CPX chassis compatible
 Chassis P/N: 1101-972

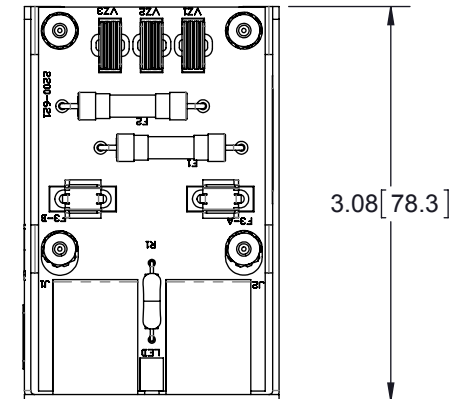


THESE COMMODITIES, TECHNOLOGY OR SOFTWARE WERE EXPORTED FROM THE UNITED STATES IN ACCORDANCE WITH THE EXPORT ADMINISTRATION REGULATIONS. DIVERSION CONTRARY TO U.S. LAW PROHIBITED.

REVISIONS				
REV.	DESCRIPTION	ECN	DATE	APPROVED
C	REFER TO ECN	13064	03/25/15	KAD

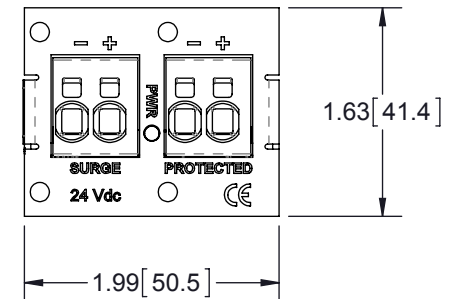
Cooper Bussmann ABC Series Fuse	
Current Rating (Amps)	Part Number
1	ABC-1-R
1-1/2	ABC-1-1/2-R
2	ABC-2-R
2-1/2	ABC-2-1/2-R
3	ABC-3-R
4	ABC-4-R
5	ABC-5-R
6	ABC-6-R
7	ABC-7-R
8	ABC-8-R
10	ABC-10-R
12	ABC-12-R
15	ABC-15-R

Table 1. List of approved fuses.



Class I Division 2 Groups A,B,C,D T8
Class I Zone 2 AEx nA IIC T8 Gc
Class I Zone 2 Ex nA IIC T8 Gc
 CE Ex II 3 G Ex nA IIC T8 Gc
Ex nA IIC T8 Gc
-40°C ≤ Tamb ≤ +65°C

Figure 1: Hazardous Locations



ALL DIMENSIONS SHOWN ARE FOR REFERENCE ONLY.

UNLESS OTHERWISE SPECIFIED LEADING DIMENSIONS ARE INCHES DIMENSIONS IN [] ARE MILLIMETERS TOLERANCES: FRACTIONS=± 1/32 .XX=± .02 ANGLES=± 1° .XXX=± .005 NOTICE: THE INFORMATION AND DESIGN IN THIS DOCUMENT IS THE PROPERTY OF TRANSTECTOR SYSTEMS. ALL RIGHTS RESERVED. THIRD-ANGLE PROJECTION 	DRAWN DPM DATE 3/3/14		SHEET 1 OF 1		
	ENG APPD EJD 3/5/14		SCALE 2:3		
	PRODUCT MGR MLH 3/6/14		TITLE CPX DC DEFENDER 24 CUSTOMER SPECIFICATION		
	MARKETING APPD LJ 3/6/14		PROJECT NO. DD116264		
DOCUMENT NAME 1000-1464-C	SIZE A	CAGE 30992	PROD CAT DCT	PART NUMBER 1000-1464	REV C