

| REVISIONS | | | | |
|-----------|--------------------|---------|--------|----------|
| REV. | DESCRIPTION | ECN | DATE | APPROVED |
| A | PRODUCTION RELEASE | DD89333 | 4/3/12 | LC |

MAXIMUM CHARACTERISTICS

Application:
The TSJ-PoE Series surge suppressors are designed to protect equipment from transient over-voltages on Power and Ethernet applications. The DC power terminal is connected directly to the positive pins (4,5) and the negative pins (7,8) of the RJ45 jack and when connected to a DC power supply it provides power for the Power and Ethernet circuit. The suppression protects the Ethernet circuit by limiting the magnitude of transient over-voltages that are present on each pair relative to each other and relative to ground.

Electrical Performance:

Connector Style (data): Shielded RJ45
Data Rate: up to 100Mb/s
Protected Data RJ 45 Pins: (1,2) and (3,6)
Protection Modes: L-L & L-G
Nominal Operating Voltage: 5Vdc
Maximum Continuous Operating Voltage: 6Vdc
Maximum Surge:
 100A, 10/1000µS (CORE 1089), L-L, L-G
 3kA, 8/20µS (IEC 61000-4-5), L-L, L-G
Breakdown Voltage:
 ±9Vdc
Series Resistance:
 0.4 Ohms Typical
Maximum Holding Current:
 750mA @ +20 °C
 1100mA @ -40 °C
 390mA @ +85 °C

Connector Style (DC): Input Terminals
Protected DC Power Pins: (4,5) and (7,8)
Nominal Operating Voltage: 24Vdc
Maximum Continuous Operating Voltage: 28Vdc
Breakdown Voltage: ±33Vdc
Series Resistance: 0.05 Ohms Typical
Maximum Holding Current:
 3.0A @ +20 °C
 4.13A @ -40 °C
 1.78A @ +85 °C

Mechanical:
Enclosure Description: The suppressor is housed inside a black, non-metallic module rated to UL 94-5V.

Max Dimensions:
(H x W x D) in: 3.2 x 2.2 x 1.7

Weight: 0.15lbs

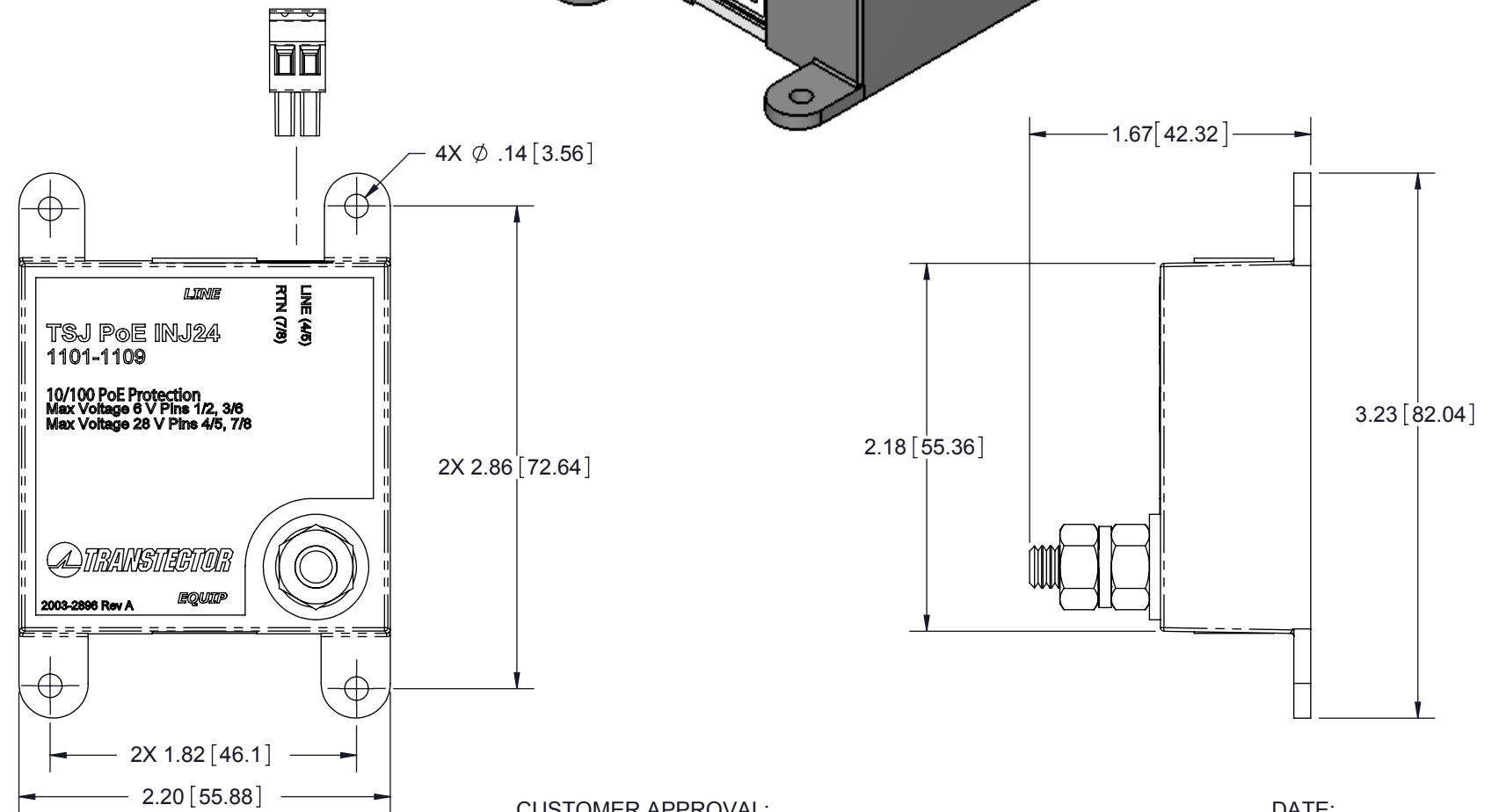
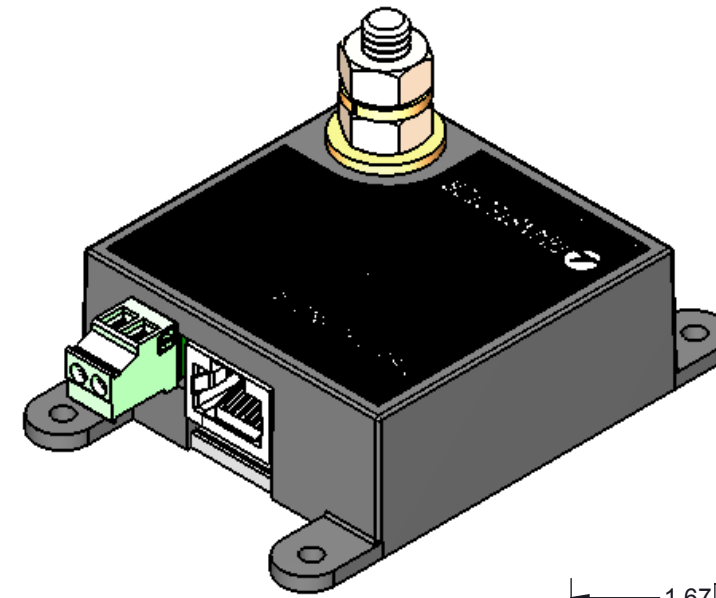
Installation Requirements:

Connections: One (1) RJ-45 receptacle (LINE), One (1) RJ-45 receptacle (EQUIP), One (1) two position terminal block (sized for 16 to 28AWG). One (1) ¼-20 ground lug

Environmental:

Operating/Storage temperature: -40 °C to +85 °C
Relative Humidity: 99% (non-condensing)

RoHS Compliant.



CUSTOMER APPROVAL: _____ DATE: _____

ALL DIMENSIONS SHOWN ARE FOR REFERENCE ONLY.

THESE COMMODITIES, TECHNOLOGY OR SOFTWARE WERE EXPORTED FROM THE UNITED STATES IN ACCORDANCE WITH THE EXPORT ADMINISTRATION REGULATIONS. DIVERSION CONTRARY TO U.S. LAW PROHIBITED.

| | | | | | |
|--|--|-------------|-------|---------------|-----|
| UNLESS OTHERWISE SPECIFIED LEADING DIMENSIONS ARE INCHES DIMENSIONS IN [] ARE MILLIMETERS TOLERANCES: FRACTIONS=± .XX± .01 ANGLES=± 1 ° .XXX± .005 | DRAWN | HMB | DATE | 4/3/12 | |
| | ENG APPD | LC | | 4/3/12 | |
| | PRODUCT MGR | CAP | | 4/10/12 | |
| | MARKETING APPD | LJ | | 4/11/12 | |
| MATERIAL NOTED | PROJECT NO. | DD89333 | | | |
| THIRD-ANGLE PROJECTION | NOTICE: THE INFORMATION AND DESIGN IN THIS DOCUMENT IS THE PROPERTY OF TRANSTECTOR SYSTEMS. ALL RIGHTS RESERVED. | | | | |
| TITLE | | SIZE | CAGE | DOCUMENT NAME | REV |
| TSJ PoE INJ24 CUSTOMER SPECIFICATION | | B | 30992 | 1101-1109-C | A |
| SCALE | PROD CAT | PART NUMBER | SHEET | OF | |
| 1:1 | DST | 1101-1109 | 1 | 1 | |

