

Data Line Surge Protection

TSJ PoE INJ48

1453-054 RevA



TSJ PoE INJ48
1101-1073

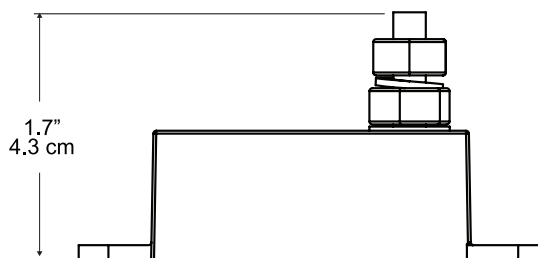
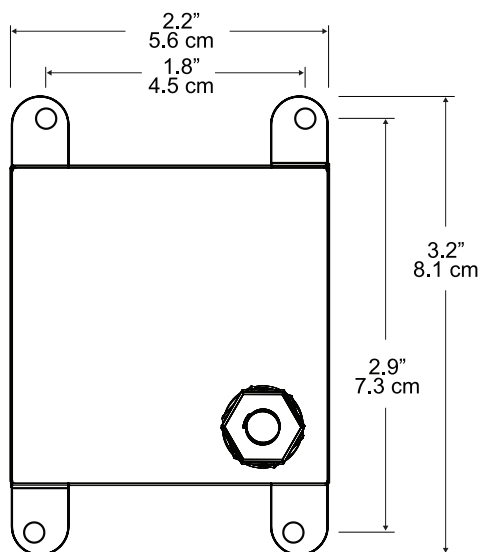
Compact, DC power terminal surge protection for PoE and Ethernet with 6 Vdc power.

Features

- Easy installation with ground stud, DC input terminal and shielded RJ-45 jacks
- Power terminal connects directly to positive and negative pins

Standards

- RoHS Compliant
- IEC 61000-4-5
- CORE 1089
- UL 94-5V



TSJ	PoE INJ48	
Part Number	1101-1073	
Performance		
Connector Style	Data - Shielded RJ-45	DC - Input Terminal
Data Rate	Up to 100 Mb/s	–
Pins Protected	Data RJ45 pins (1,2) and (3,6)	DC power pins (4,5) and (7,8)
Nominal Voltage	5 Vdc	48 Vdc
MCOV	6 Vdc	60 Vdc
Max Surge Current 10/1000 μs per CORE 1089	100 A L-L, L-G	–
Max Surge Current 8/20 μs per IEC 61000-4-5	3 kA L-L, L-G	–
Breakdown Voltage	± 9 Vdc	± 9 Vdc
Series Resistance	0.4 Ω Typical	0.05 Ω Typical
Maximum Holding Current	750 mA @ +20° C 1100 mA @ -40° C 390 mA @ +85° C	3.0 A @ +20° C 4.13 A @ -40° C 1.78 A @ +85° C
Mechanical		
Dimensions HxWxD	3.2" x 2.2" x 1.7" 8.1 cm x 5.6 cm x 4.3 cm	
Weight	0.15 lbs / 0.07 kg	
Environmental		
Humidity	99% non-condensing	
Operating Temperature	-40°C to +85°C	
Enclosure Rating	UL 94-5V	