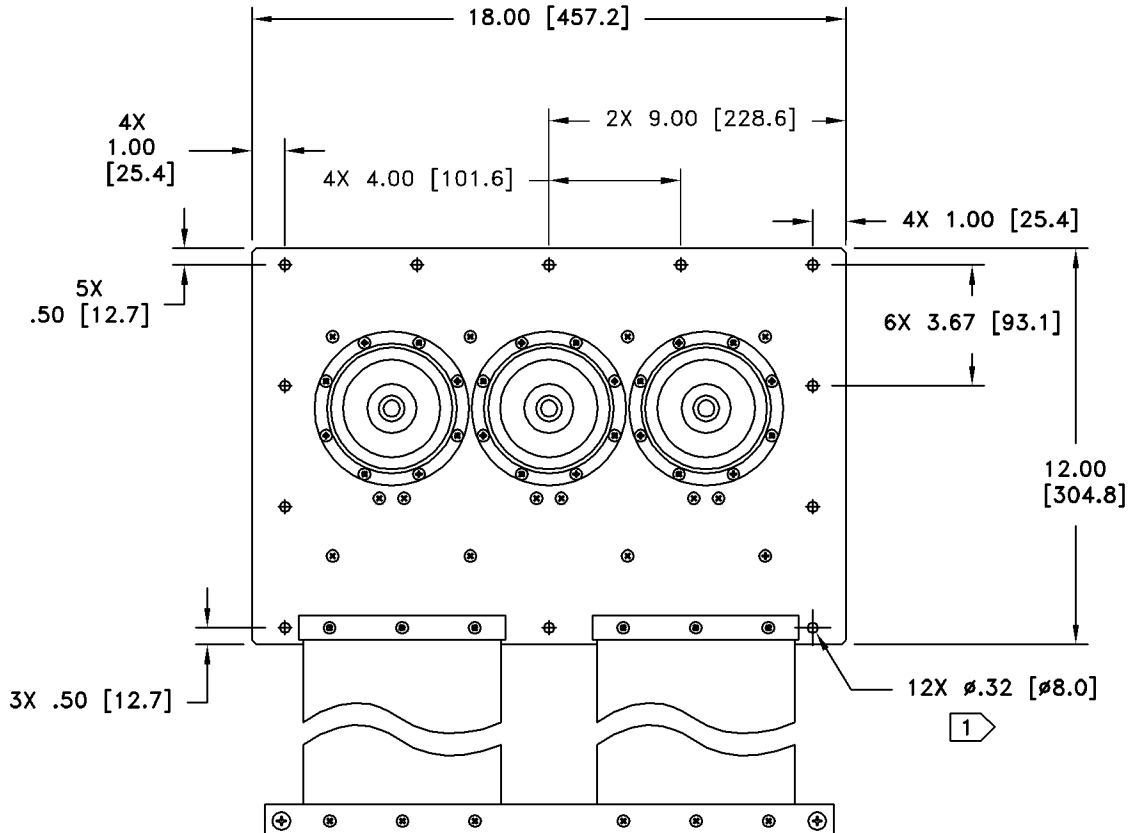
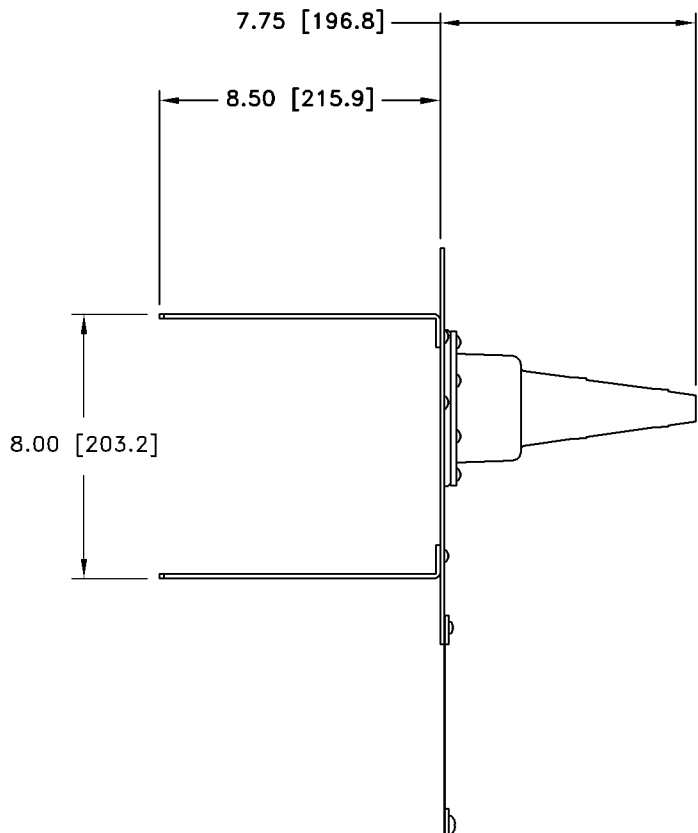


ALL DESIGN, OPERATIVE AND PROCESS DATA PERTAINING TO THE ARTICLE SHOWN ON THIS SHEET IS THE PROPERTY OF POLYPHASER CORPORATION. THE INFORMATION IS NOT TO BE COPIED, REPRODUCED, REVEALED TO OR APPROPRIATED BY OTHERS WITHOUT THE EXPRESS WRITTEN CONSENT OF POLYPHASER CORPORATION.

REVISIONS				
REV LTR	DATE	ENG	MKTG	Q.A.
A	09/06/00 _{IB}	PS	PH	RM
B	02/05/03 _{IB}	RCD	SD	LJ
C	03/02/07 _{SH}	RD	SD	LJ



SPECIFICATIONS
MATERIAL: C110 HALF HARD COPPER
HARDWARE: STAINLESS STEEL AND BRASS
BOOTS: UV & WEATHER RESISTANT EPDM RUBBER
COAX DIAMETER: UP TO 3.125" DIAMETER

1 MATCH DRILL MOUNTING HOLES.

These commodities or technology are exported from the U.S. in accordance with the Export Administration Regulations. Diversion contrary to U.S. law prohibited.

CUSTOMER APPROVAL: _____ DATE: _____

ALL DIMENSIONS SHOWN ABOVE ARE FOR REFERENCE ONLY.

DRAFTER R. DUNNING	DATE 05/19/94
MECH ENGINEER - - - -	DATE - - - -
ELEC ENGINEER J. JONES	DATE 05/19/94
MARKETING - - - -	DATE - - - -
QUALITY DEPT R. MATHEUS	DATE 05/19/94

PolyPhaser

P.O. BOX 9000 MINDEN, NY 89423 TEL: 775-782-2511 FAX: 775-782-4476
DWG NO/PART NO/DESCRIPTION

**3PEEP
CUSTOMER PRINT**

CAGE CODE 61114	FILE NAME -C1	SCALE 1/6	SHEET 1 OF 1
--------------------	------------------	--------------	-----------------